

TOSHIBA BIPOLAR LINEAR INTEGRATED CIRCUIT SILICON MONOLITHIC

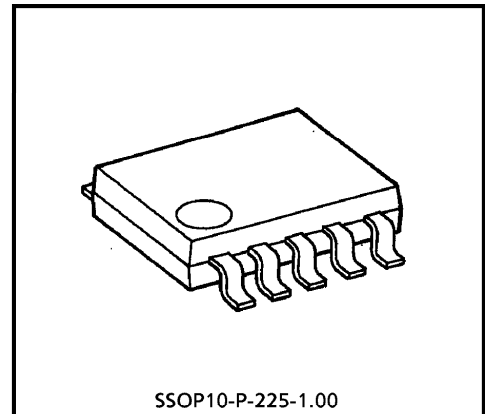
TA8158F

FM FRONT END IC

The TA8158F is low operation voltage FM FRONT END IC for the portable equipments which is suitable for the headphone stereo radios and radio cassette players.

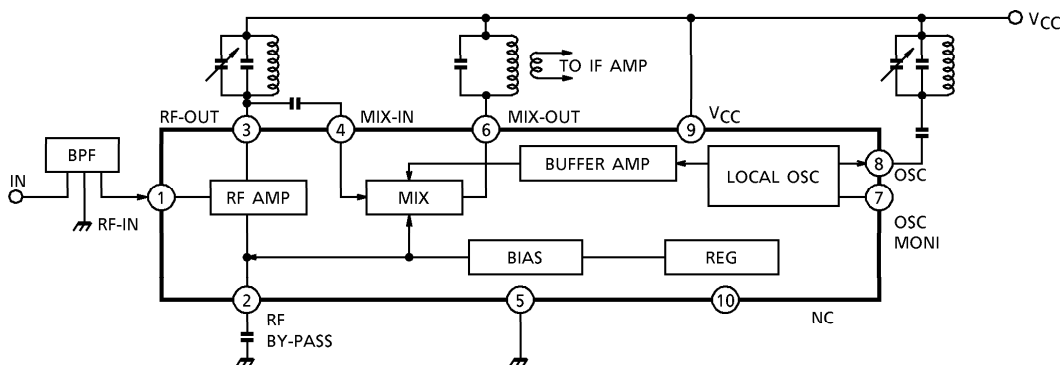
FEATURES

- Wide Supply Voltage Range : $V_{CC} = 1.6 \sim 6.0V$ ($T_a = 25^\circ C$)
- Excellent Supply Voltage Dependence of Local Oscillator : Oscillation Stop $V_{CC} = 0.9V$ (Typ.)
- Improved Inter-Modulation Characteristics by Double Balanced Type Mixer Circuit.
- Built-in Clamping Diode for the Local Oscillator Output.



SSOP10-P-225-1.00
Weight : 0.10g (Typ.)

BLOCK DIAGRAM



961001EBA2

- TOSHIBA is continually working to improve the quality and the reliability of its products. Nevertheless, semiconductor devices in general can malfunction or fail due to their inherent electrical sensitivity and vulnerability to physical stress. It is the responsibility of the buyer, when utilizing TOSHIBA products, to observe standards of safety, and to avoid situations in which a malfunction or failure of a TOSHIBA product could cause loss of human life, bodily injury or damage to property. In developing your designs, please ensure that TOSHIBA products are used within specified operating ranges as set forth in the most recent products specifications. Also, please keep in mind the precautions and conditions set forth in the TOSHIBA Semiconductor Reliability Handbook.
- The products described in this document are subject to foreign exchange and foreign trade control laws.
- The information contained herein is presented only as a guide for the applications of our products. No responsibility is assumed by TOSHIBA CORPORATION for any infringements of intellectual property or other rights of the third parties which may result from its use. No license is granted by implication or otherwise under any intellectual property or other rights of TOSHIBA CORPORATION or others.
- The information contained herein is subject to change without notice.

EXPLANATION OF TERMINAL

(Terminal voltage is DC voltage at Ta = 25°C, V_{CC} = 5V, and no signal)

PIN No.	SYMBOL	INTERNAL CIRCUIT	TERMINAL VOLTAGE (V)
1	FM-RF IN		0.8
2	BY PASS		1.5
3	FM-RF OUT		5.0
4	MIX IN		1.5
5	GND	—	0
6	MIX OUT	cf, pin④	5.0
7	OSC MONITOR		4.3
8	OSC		5.0
9	V _{CC}	—	5.0
10	NC	—	—

MAXIMUM RATINGS (Ta = 25°C)

CHARACTERISTIC	SYMBOL	RATING	UNIT
Supply Voltage	V _{CC}	8	V
Power Dissipation	P _D (Note)	400	mW
Operating Temperature	T _{opr}	- 25~75	°C
Storage Temperature	T _{stg}	- 55~150	°C

(Note) Derated above Ta = 25°C in the proportion of 3.2mW/°C.

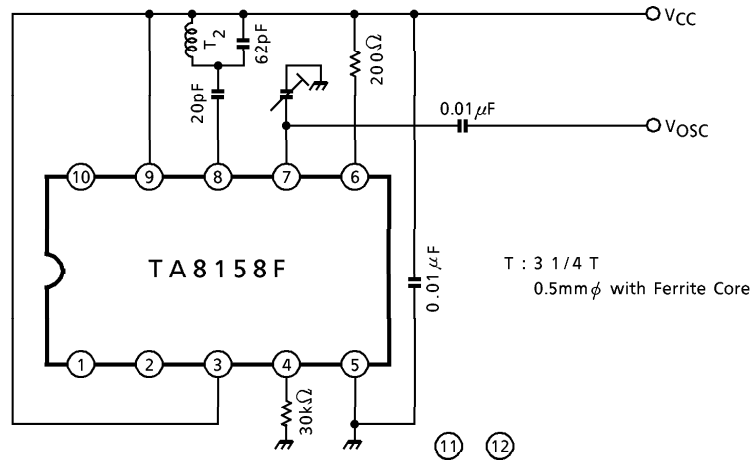
ELECTRICAL CHARACTERISTICS

Unless otherwise specified

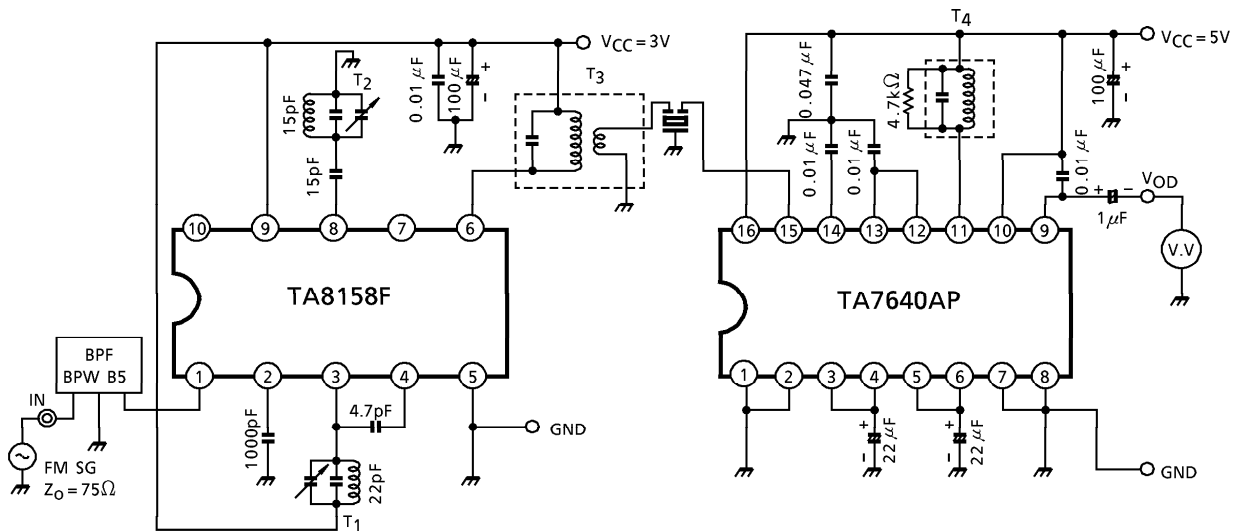
(V_{CC} = 3V, f = 83MHz, f_m = 1kHz, Δf = 22.5kHz dev, Ta = 25°C)

CHARACTERISTIC		SYMBOL	TEST CIRCUIT	TEST CONDITION	MIN.	TYP.	MAX.	UNIT
Supply Current		I _{CC}	2	V _{in} = 0	—	5.2	8.0	mA
- 3dB Limiting Sensitivity		V _{in} (lim)	2	—	—	3.0	7.0	dB _{μV} EMF
Quiescent Sensitivity		Q _S	2	—	—	11.0	—	dB _{μV} EMF
Conversion Gain		G _C	—	—	—	31	—	dB
Local OSC Voltage		V _{OSC}	1	f _{OSC} = 60MHz	140	220	340	mV _{rms}
Pin① Impedance	Parallel Input Resistance	r _{ip1}	3	f = 83MHz	—	57	—	Ω
Pin③ Impedance	Parallel Output Resistance	r _{op3}	3		—	25	—	kΩ
	Parallel Output Capacitance	C _{op3}			—	2.0	—	pF
Pin④ Impedance	Parallel Input Resistance	r _{ip4}	3		—	2.7	—	kΩ
	Parallel Input Capacitance	C _{ip4}			—	3.3	—	pF
Pin⑥ Impedance	Parallel Output Resistance	r _{op6}	3		f = 10.7MHz	—	100	—
	Parallel Output Capacitance	C _{op6}		—		4.8	—	pF
Local OSC Stop Voltage		V _{stop}	1	—	—	0.9	—	V

TEST CIRCUIT 1



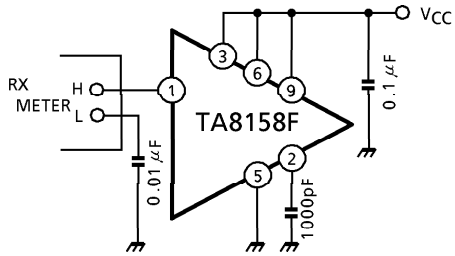
TEST CIRCUIT 2



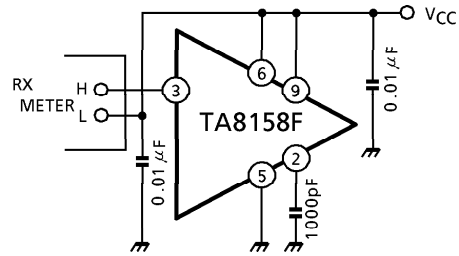
TEST CIRCUIT 3

Input, output impedance

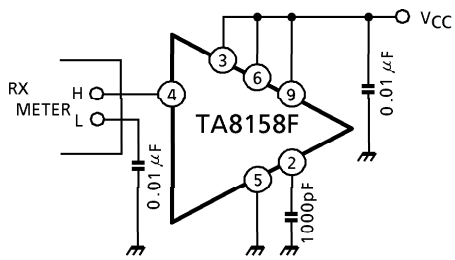
(1) r_{ip1}



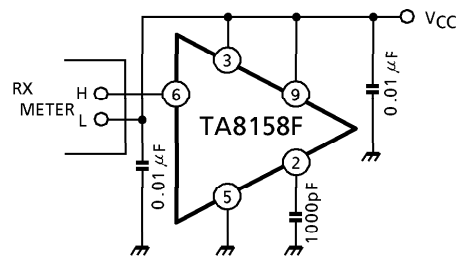
(2) r_{op3}, C_{op3}



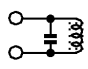
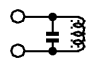
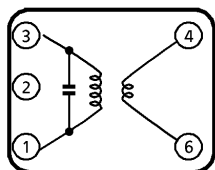
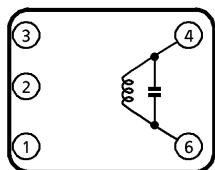
(3) r_{ip4}, C_{ip4}



(4) r_{op6}, C_{op6}



TEXT CIRCUIT COIL DATA (Japan band for 76.0MHz to 108.0MHz)

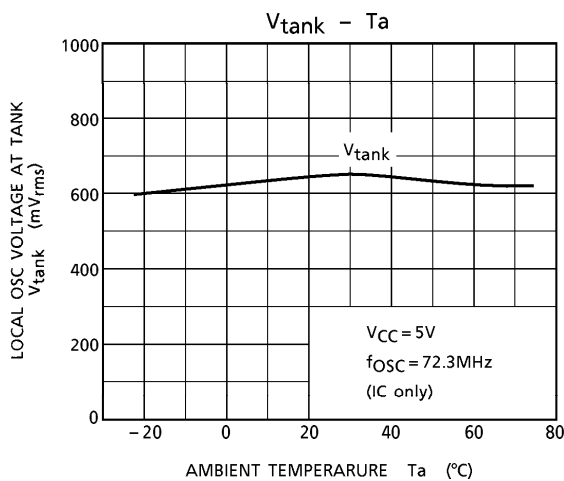
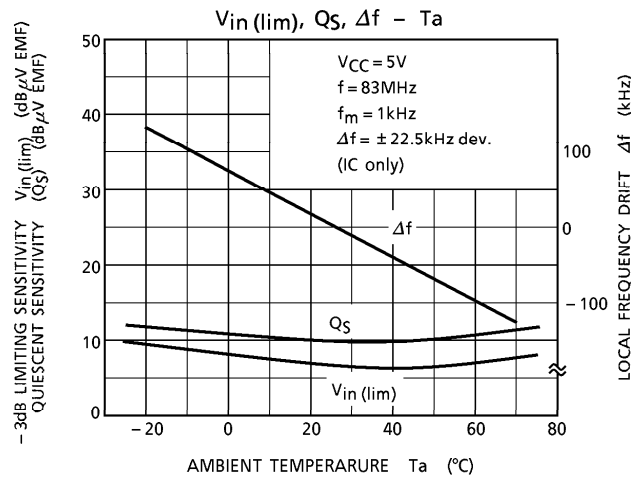
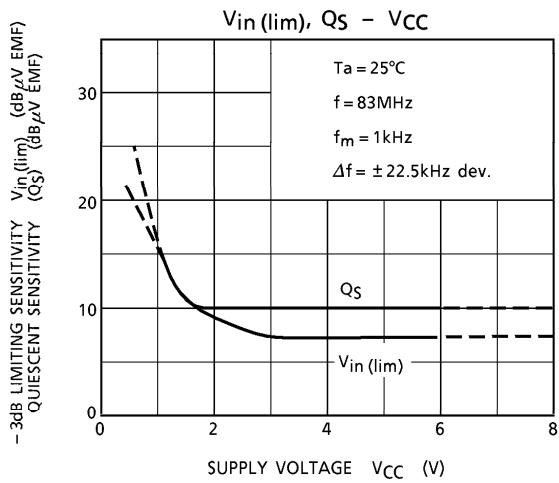
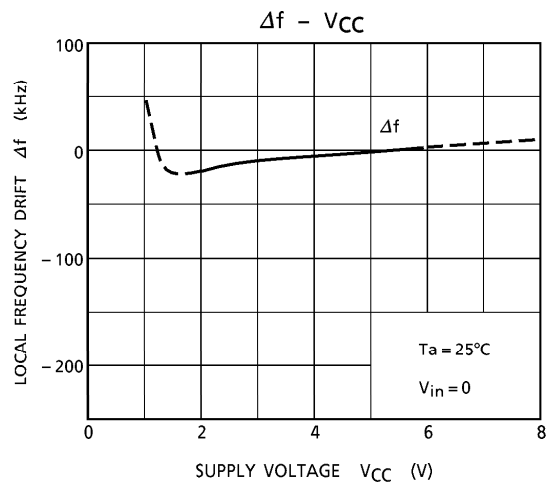
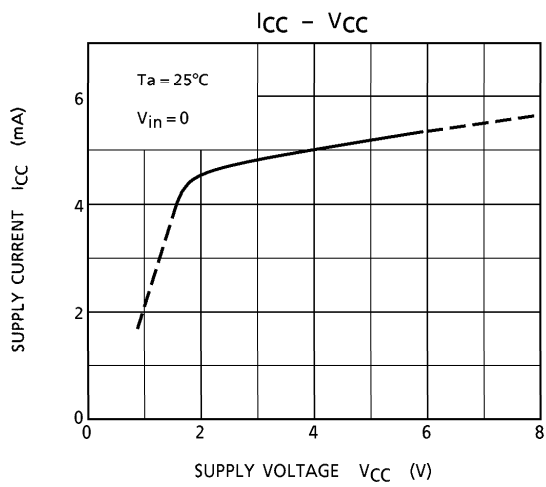
COIL	f_o	Q_o	TURNS	CAPACITANCE	
T ₁ RF Coil	100MHz	100	0.5mm ϕ 2 $\frac{1}{4}$ T Center Tap	15pF (External)	 FERRITE CORE
T ₂ OSC Coil	100MHz	100	0.5mm ϕ 2 $\frac{1}{2}$ T	15pF (External)	 FERRITE CORE
T ₃ IFT Coil	10.7MHz	115	①-③ 12T ④-⑥ 1T Wire 0.12mm ϕ UEW SUMIDA ELECTRIC Co., LTD. 5764 or Equivalent	75pF	VCC  PIN⑥ (BOTTOM VIEW)
T ₄ Quad Coil	10.7MHz	150	④-⑥ 14T Wire 0.12mm ϕ UEW SUMIDA ELECTRIC Co., LTD. 44M-933A or Equivalent	47pF	 (BOTTOM VIEW)

Band Pass Filter (BPF)

SOSHIN ELECTRIC Co., LTD. BPWB5

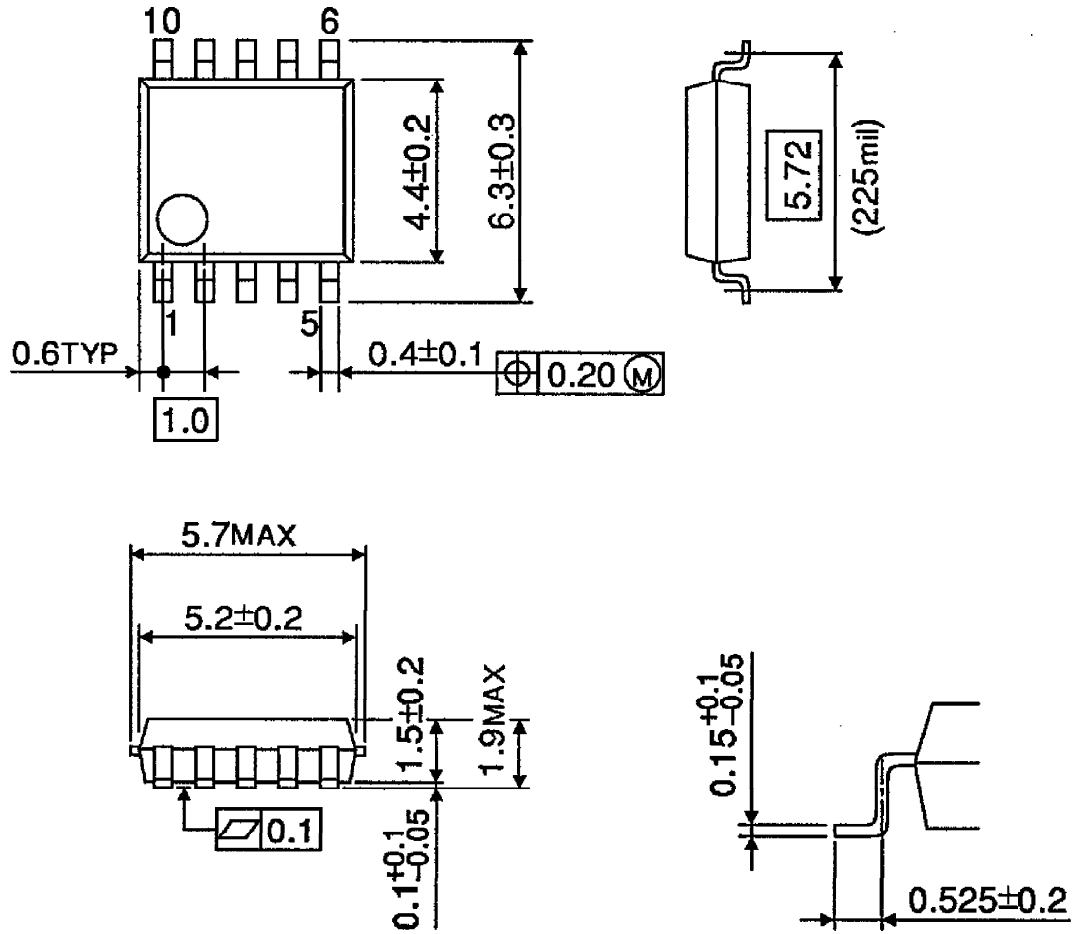
Tuning Capacitor

ALPS ELECTRIC Co., LTD. CB41EL933



OUTLINE DRAWING
SSOP10-P-225-1.00

Unit: mm



Weight : 0.10g (Typ.)